

## Lexmark CX820dtfe

Small. Easy to use. Great value. - Edited now



We back this product with a guarantee that covers repair actions including the cost of spare parts in the first three years. The guarantee also offers you free 24-hour self-help online support and access to technical support by phone during working hours. Offer applies if the product is registered within 90 days from the date of purchase. Supplies and/or consumable parts, such as fuser or transfer unit, are excluded. Please refer to the detailed terms and conditions available at [lexmark.com/myguarantee](http://lexmark.com/myguarantee).

# Lexmark CX820dtfe

Scdcacc ScdcaccScdcaccScdcaccScdcaccScdcacc

## This is simple - four page

ScdcaccScdcaccScdcaccScdcaccScdcacc

## This is simple headline 2

ScdcaccScdcaccScdcaccScdcaccScdcacc

## This is simple headline 3

ScdcaccScdcaccScdcaccScdcaccScdcacc

## Feature 5

ScdcaccScdcaccScdcaccScdcaccScdcaccScdcacc

## ScdcaccScdcacc

ScdcaccScdcaccScdcaccScdcaccScdcacc

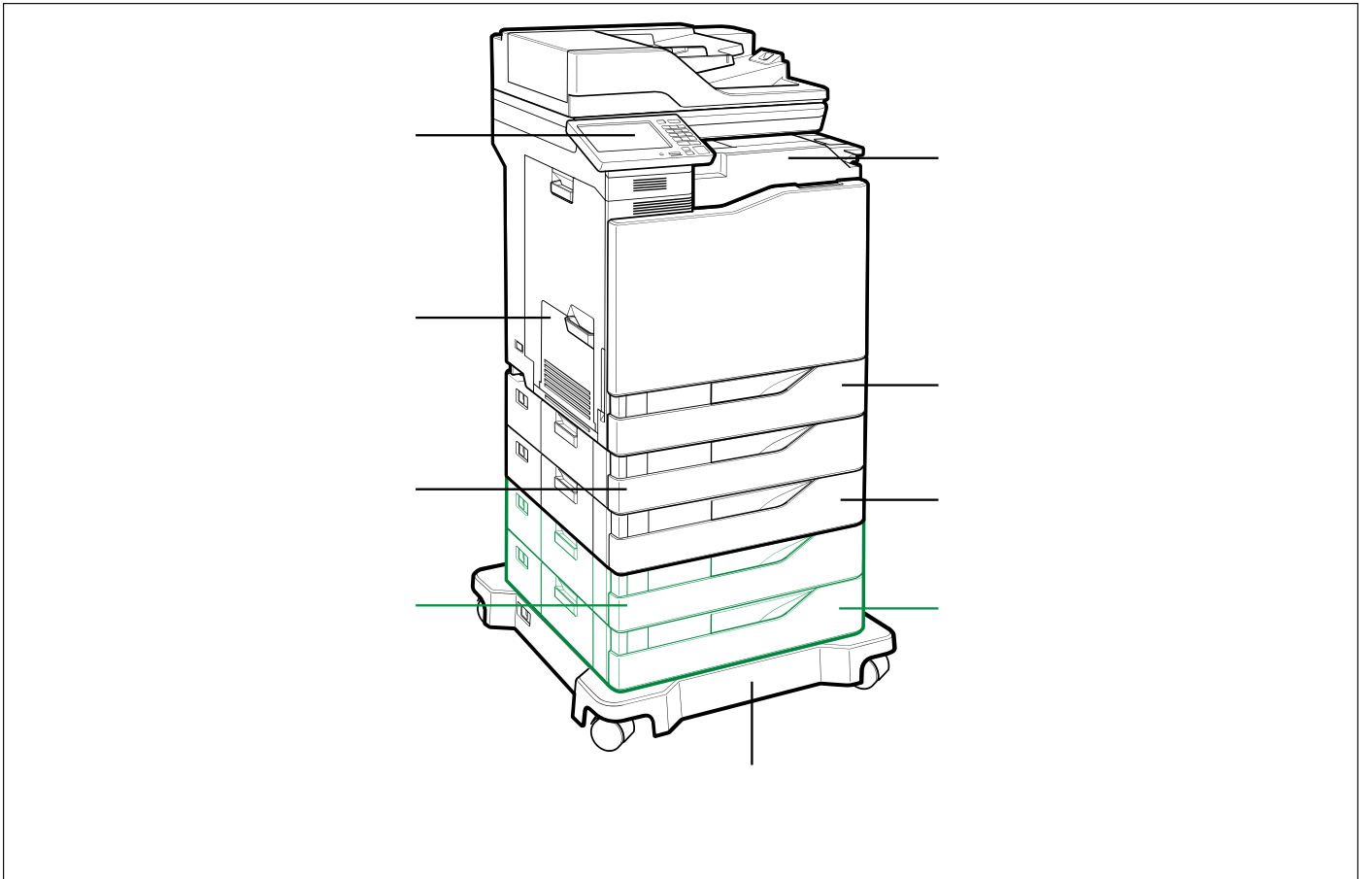
## ScdcaccScdcaccScdcacc

ScdcaccScdcaccScdcaccScdcaccScdcaccScdcaccScdcacc

This is a Class A device according to international electromagnetic emissions standards (i.e. FCC Rules, EN 55022/EN 55032, etc.). Class A products are intended for use in non-residential/non-domestic environments. Use of a Class A product in residential/domestic environments may cause interference to radio communications and require corrective measures.

\* \*Print and copy speeds measured in accordance with ISO/IEC 24734 and ISO/IEC 24735 respectively (ESAT). For more information see: [www.lexmark.com/ISOspeeds](http://www.lexmark.com/ISOspeeds). \*\*Average standard page yield value declared in accordance with ISO/IEC 19752. \*\*\*Award based on N

# Lexmark CX820dtfe



-  Standard
-  Optional

**Product Specifications**

**Lexmark CX820dtfe**

**Printing**

Display	Lexmark e-Task 17.8 cm (7-inch) colour touch screen
Print Speed	Up to: Black: 50 ppm <sup>1</sup> (A4) / Colour: 50 ppm <sup>1</sup> (A4)
Time to First Page	As fast as: Black: 7 seconds / Colour: 7 seconds
Print Resolution	Black: 1200 x 1200 dpi, 4800 CQ (2400 x 600 dpi) / Colour: 4800 CQ (2400 x 600 dpi), 1200 x 1200 dpi
Memory	Standard: 2048 MB / Maximum: 4096 MB
Hard Disk	Included in configuration
Recommended Monthly Page Volume	2500 - 25000 pages <sup>2</sup>
Maximum Monthly Duty Cycle	Up to: 200000 pages per month <sup>3</sup>

**Copying**

Copy Speed	Up to: Black: 50 cpm <sup>1</sup> (A4) / Colour: 50 cpm <sup>1</sup> (A4)
Time to First Copy	as fast as: Black: 6.5 seconds / Colour: 7.5 seconds

**Scanning**

Scanner Type / ADF Scan	Flatbed scanner with ADF / DADF (single pass Duplex)
A4/Ltr Duplex Scan Speed	Up to: Black: 114 / 120 sides per minute / Colour: 114 / 120 sides per minute
A4/Ltr Simplex Scan Speed	Up to: Black: 57 / 60 sides per minute / Colour: 57 / 60 sides per minute
ADF Paper Input Capacity	Up to: 150 pages 75 gsm bond

**Faxing**

Modem Speed	ITU T.30, V.34 Half-Duplex, 33.6 Kbps
-------------	---------------------------------------

**Supplies<sup>4</sup>**

Laser Cartridge Yields	up to: 17,000 <sup>5</sup> -page Colour (CMY) High Yield Cartridges / up to: 33,000 <sup>5</sup> -page Black Extra High Yield Cartridge / up to: 8,000 <sup>5</sup> -page Black and Colour (CMYK) Cartridges
Photoconductor Estimated Yield	Up to: 175000 pages, based on 3 average letter/A4-size pages per print job and ~ 5% coverage <sup>6</sup>
Developer Unit(s) Estimated Yield	Up to: 300000 pages, based on 3 average letter/A4-size pages per print job and ~ 5% coverage <sup>6</sup>
Cartridge(s) Shipping with Product	8,000 <sup>5</sup> -page Black and Colour (CMYK) Return Program Toner Cartridges <sup>5</sup>

**Paper Handling**

Included Paper Handling	100-Sheet Multipurpose Feeder, Integrated Duplex, 2 x 550-Sheet Tray, Inline Stapler, 300-Sheet Output Bin, 550-Sheet Input
Optional Paper Handling	2200-Sheet Tray, 550-Sheet Tray
Paper Input Capacity	Up to: Standard: 1750 pages 75 gsm bond / Maximum: 4500 pages 75 gsm bond
Paper Output Capacity	Up to: Standard: 300 pages 75 gsm bond / Maximum: 300 pages 75 gsm bond
Media Types Supported	Vinyl Labels, Labels, Card Stock, Plain Paper, Polyester Labels, Dual Web Labels, Envelopes, Refer to the Paper & Specialty Media Guide
Media Sizes Supported	A6, Oficio, 7 3/4 Envelope, 9 Envelope, JIS-B5, A4, Legal, A5, Letter, B5 Envelope, Index Card, 4 x 6", C4 Envelope, Statement, C5 Envelope, Executive, Universal, DL Envelope, Folio, 10 Envelope

**General Information<sup>7</sup>**

Standard Connectivity	Two Rear USB 2.0 Specification Hi-Speed Certified ports (Type A), Two Front USB 2.0 Specification Hi-Speed Certified port (Type A), Gigabit Ethernet (10/100/1000), USB 2.0 Specification Hi-Speed Certified (Type B), One Internal Card Slot
Optional Network Ports	Marknet N8370 WiFi Option
Noise Level	Operating: 55 dBA (Print) / 58 dBA (Copy) / 55 dBA (Scan)
Specified Operating Environment	Temperature: 10 to 32°C (50 to 90°F) / Altitude: 0 - 2896 Metres (9,500 Feet) / Humidity: 15 to 80% Relative Humidity
Product Guarantee	1-Year Onsite Service
Size / Weight	H x W x D: 1137.4 x 649 x 588 mm / 134.7 kg
ENERGY STAR Typical Electricity Consumption	TEC: 0.8 kilowatt-hours per week

All information is subject to change without notice. Lexmark is not liable for any errors or omissions.

<sup>1</sup> Print and copy speeds measured in accordance with ISO/IEC 24734 and ISO/IEC 24735 respectively (ESAT). For more information see: [www.lexmark.com/ISOspeeds](http://www.lexmark.com/ISOspeeds).

<sup>2</sup> "Recommended Monthly Page Volume" is a range of pages that helps customers evaluate Lexmark's product offerings based on the average number of pages customers plan to print on the device each month. Lexmark recommends that the number of pages per month be within the stated range for optimum device performance, based on factors including: supplies replacement intervals, paper loading intervals, speed, and typical customer usage. <sup>3</sup> "Maximum Monthly Duty Cycle" is defined as the maximum number of pages a device could deliver in a month using a multishift operation. This metric provides a comparison of robustness in relation to other Lexmark printers and MFPs. <sup>4</sup> Product functions only with replacement cartridges designed for use in a specific geographical region. See [www.lexmark.com/regions](http://www.lexmark.com/regions) for more details. <sup>5</sup> Average continuous black or continuous composite CMY declared cartridge yield up to this number of standard pages in accordance with ISO/IEC 19798. <sup>6</sup> Actual Yield may vary based on other factors such as device speed, paper size and feed orientation, toner coverage, tray source, percentage of black-only printing and average print job complexity. <sup>7</sup> Printers are sold subject to certain license/agreement conditions. See [www.lexmark.com/printerlicense](http://www.lexmark.com/printerlicense) for details.

This is a Class A device according to international electromagnetic emissions standards (i.e. FCC Rules, EN 55022/EN 55032, etc.). Class A products are intended for use in non-residential/non-domestic environments. Use of a Class A product in residential/domestic environments may cause interference to radio communications and require corrective measures.

DasdadScdaccScdaccScdaccScdacc ScdaccScdaccScdaccScdacc